

Mitred Door Styles

MS SERIES Drawer Front
 Mitred Plywood Flat Panel
 Drawer Front (Standard)

MS SERIES
 Mitred Solid Raised Panel Door

MP SERIES Drawer Front
 Mitred Plywood Flat Panel
 Drawer Front (Standard)

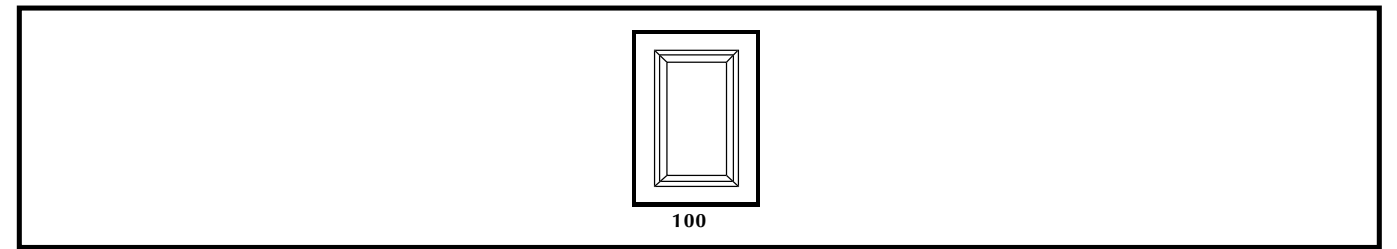
MP SERIES
 Mitred Plywood Flat Panel Door



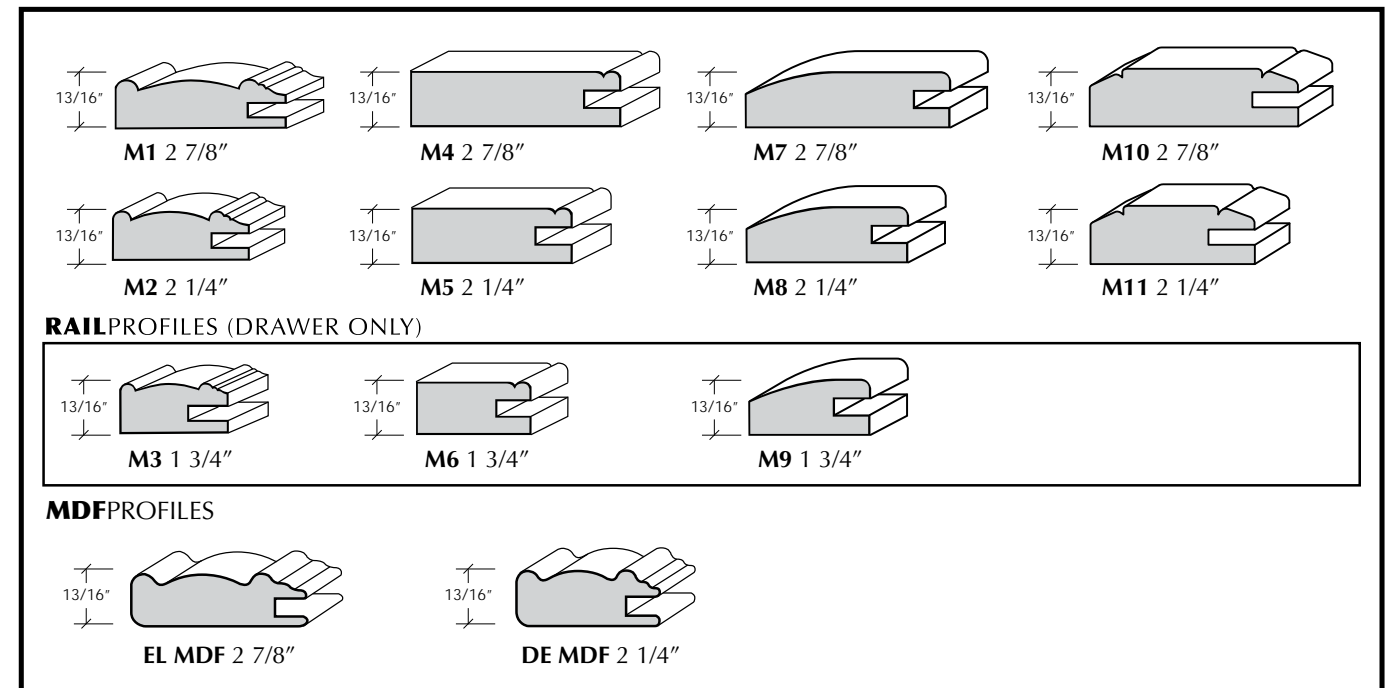
NOTE: MDF available in select mitred door styles.
 NOTE: Knotty Pine, Birch, and Paintgrade species are NOT available in mitred doors.



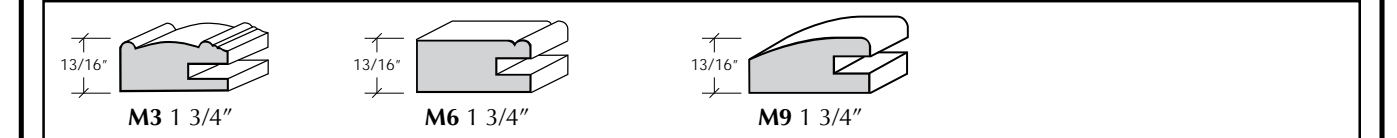
DOORDESIGNS



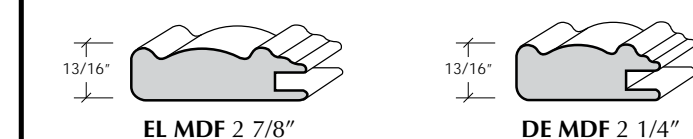
RAILPROFILES



RAILPROFILES (DRAWER ONLY)



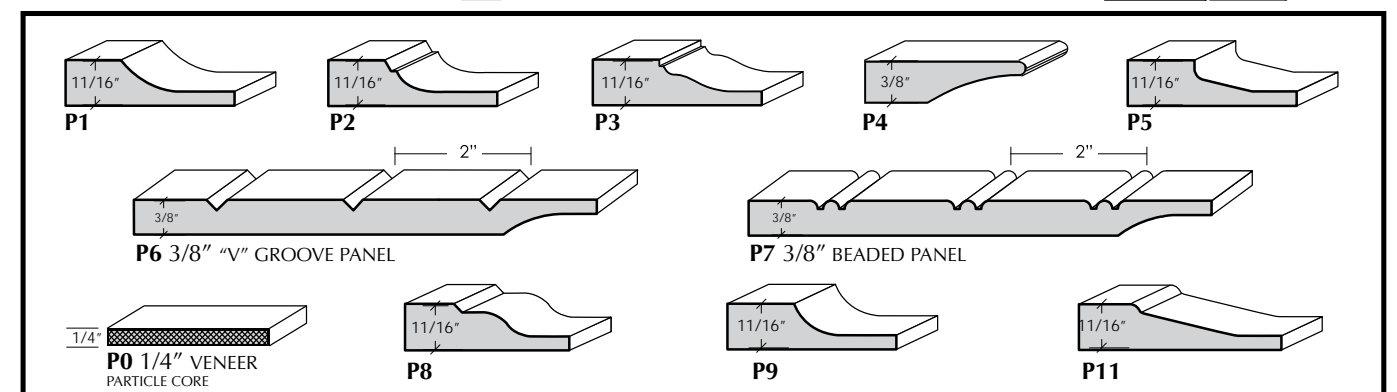
MDFPROFILES



NOTE: Mitred doors are only available in a 100 SQUARE DESIGN
 NOTE: The M4, M5, M6 have the option of an edge profile. Refer to the Mortise & Tenon edge profile options on page 4.
 NOTE: Drawer fronts are available as 5-piece or as a slab (as per the edge profiles on page 4); Flat panels and horizontal grain direction are standard.
 Raised panels are available only if specified and are above minimums.
 NOTE: Knotty Pine, Birch are not available in Mitred Doors. MDF are only available in EL and DE. DE is the standard drawer front rail for the EL door rail.
 NOTE: M11 is the standard drawer front moulding for the M10 rail.
 NOTE: Mitred doors cannot have cross rails. Therefore multi panel doors and custom panels are not available.

PANELPROFILES

Profiles with solid grey are solid wood panels (P)



NOTE: P4, P6 & P7 are reversed solid panels.

NOTE: Drawer fronts also available as slab. If slab drawer fronts are selected then a complementary edge will need to be specified from the Mortise & Tenon edge profiles.