

GENERAL INFORMATION / LIMITED WARRANTY



WOOD
COLLECTION



CHANGES TO ORDER	Changes to an order can not be made once the order is in production. An order can go into production as early as 24 hours after receiving it.
LEAD TIME	Orders are shipped within 10 working days after the order has been finalized. Service doors (add-ons, remakes) require 3-4 business days for shipping.
SIZING TOLERANCES	<p>SIZE TOLERANCES Outside dimensions: +/- 1mm (0.04")</p> <p>Mitered Door Tolerances - All doors with a 45° mitred assembly allow a 0.01" (.25mm) joint gap for wood expansion.</p>
DEFICIENT AND/OR DAMAGED GOODS	<p>Upon receiving your shipments, please inspect for visible and concealed damage. Any packages with visible damage, or if you are concerned about the condition of the packages or skid, damage should be noted on the delivery slip and signed by the driver. A copy should be faxed to Nubold. Nubold is not responsible for goods damaged after leaving the factory.</p> <p>All products are to be inspected prior to installation, remanufacture, or finishing. Ensure that you unpack and inspect your orders within 24 hours of receipt. Doors and products that are considered deficient are to be returned by courier immediately to Nubold for review and replacement, if appropriate. Nubold is only responsible to replace any product that has a manufacturing defect or does not meet the specifications of the product ordered. Nubold will not be held responsible for any delays associated with the replacement of the product, repair, removal, installation, or finishing costs.</p>
SHORTAGES	All orders must be inspected upon delivery. Any shortages must be reported within 2 (two) business days of delivery.
RETURNS	As all products are custom made to order, no products can be returned unless it is defective or a manufacturing error has been made. The doors to be replaced will be invoiced at 100% and a credit will be issued after inspection of the defective doors. You must receive prior authorization before returning any product. We assume no responsibility for improper handling, storage, finishing or cleaning.
CARE & HANDLING OF DOORS & DRAWERFRONTS	Our doors/drawer fronts are produced in a climate controlled environment. Be sure to store doors in areas that are not subject to abnormal heat, cold, dryness, humidity or direct sunlight. Doors and drawer fronts should not be subject to extreme moisture or dryness (heat). The doors/drawer fronts must be finished within 10 days of shipping with equal amount of finish on all surfaces, in order to avoid unequal absorption or moisture release. This is particularly important with Maple, especially in humid areas and in winter. We recommend a relative humidity between 30 - 40%.
WARRANTY	<p>All wood products are guaranteed for (1) year from date of shipment against warpage as follow:</p> <p>a) Up to 48" high - 1/8" of warpage, 48" to 60" high - 1/4", 60" & above 3/8"</p> <p>b) Doors wider than 24" are not covered under warranty.</p> <p>c) All doors must be finished within 10 days of shipping.</p> <p>d) Wood doors with a painted finish are not covered under the warranty. 5 piece MDF doors are recommended for painting.</p>



MITRED

MORTISE & TENON



SHAKER

MDF FIVE PIECE



CONTENTS

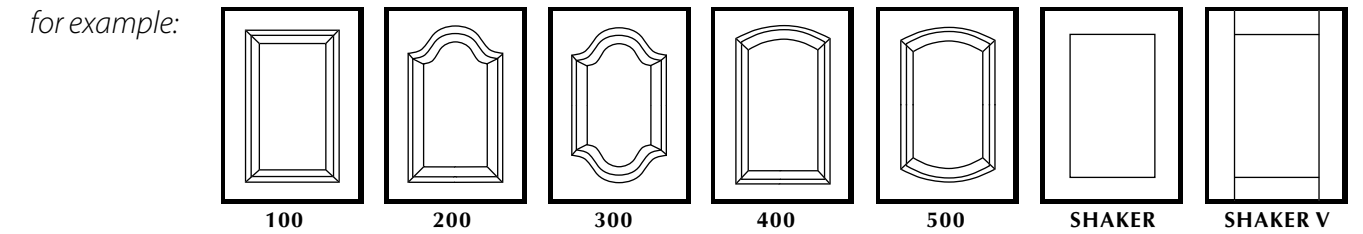
1. Cover
2. Table of Contents
3. Mortise & Tenon Door Styles
 - P Series
 - S Series
 - Shaker Series
- 4-5. Mortise & Tenon Door Options
 - Design Profiles
 - Stile & Rail Profiles
 - Edge Profiles
 - Panel Profiles
 - Applied Moulding Options
 - Glass Door Options
6. Mitred Door Styles
 - MS Series
 - MP Series
7. Mitred Door Options
 - Design Profiles
 - Stile & Rail Profiles
 - Panel Profiles
 - Edge Profiles
8. Accessories & Specialty Items
 - Appliance Panels
 - Multi Panels & Wainscotting
 - Drilling & Hinges
 - Accessory Mouldings
 - Valances
9. Wood Grades/ Sanding Specifications
 - Wood Grades
 - Sanding Spec's
10. Minimums & Maximums
11. Ordering Guide
12. General Information

ORDERING GUIDE

STEP 1 PICK DOOR STYLE & SPECIES

for example: **MORTISE & TENON** P SERIES (Flat Plywood Panel) - S SERIES (Raised Solid Panel) - SHAKER SERIES
MITRED MP SERIES (Flat Plywood Panel) - MS SERIES (Raised Solid Panel)
SPECIES Maple / Oak / Cherry, etc.

STEP 2 PICK DOOR DESIGN



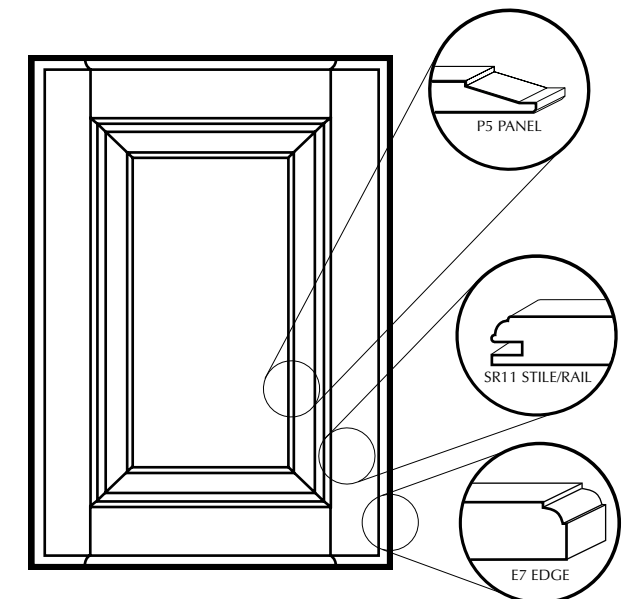
STEP 3 PICK A PANEL, STILE/RAIL, EDGE PROFILE

for example:

MORTISE & TENON
 STILE/RAIL PROFILE | **SR11**
 EDGE PROFILE | **E7**
 PANEL PROFILE | **P5**

for example:

MITRED
 RAIL PROFILE | **M1**
 PANEL PROFILE | **P5**



STEP 4 PICK A WOOD GRADE & SANDING REQUIREMENTS

for example: WOOD GRADE eg. **SELECT, SELECT PLUS**

OPTIONAL SANDING eg. **SANDING STANDARD, SANDING PLUS.**

MINIMUMS

SERIES	RAIL	DOOR	* DRAWER FRONT
S SERIES (MORTISE & TENON RAISED PANEL)	2 1/4" Sq. Design	7 1/2" x 7 1/2"	7 1/2" x 5 7/8"
	2 1/4" Arch Design	8" x 11"	Sq. design only
	2 1/4" Cath. Design	8" x 11"	Sq. design only
	2 3/4" Sq. Design	8 1/2" x 8 1/2"	8 1/2" x 5 7/8"
	3" Sq. Design	9" x 9"	9" x 5 7/8"
	3 3/8" Sq. Design	9 1/2" x 9 1/2"	9 1/2" x 5 7/8"
P SERIES (MORTISE & TENON FLAT PANEL)	2 1/4" Sq. Design	6" x 6"	6" x 5"
	2 1/4" Arch Design	8" x 11"	Sq. design only
	2 1/4" Cath. Design	8" x 11"	Sq. design only
	2 3/4" Sq. Design	7" x 7 1/2"	7" x 5"
	3" Sq. Design	7 1/2" x 7 1/2"	7 1/2" x 5"
	3 3/8" Sq. Design	8 1/2" x 8 1/2"	8 1/2" x 5"
SHAKER (MORTISE & TENON SHAKER)	2 1/4" Sq. Design	6" x 6"	6" x 5"
	2 1/4" 3/8" Panel	7" x 7"	7" x 5"
	2 3/4" 3/8" Panel	7 1/2" x 7 1/2"	7 1/2" x 5"
	3" Sq. Design	7 1/2" x 7 1/2"	7 1/2" x 5"
* NOTE: P, S, & Shaker series drawer fronts come standard with 1 5/8" cross rails and horizontal grain on centre panel. NOTE: Minimums for all Door widths & heights increases by 1" when using the P11 panel. NOTE: Door minimums can be reduced through the reduction of both stiles up to 1/2" each side.			
SERIES	RAIL	DOOR	* DRAWER FRONT
MP SERIES (MITRED FLAT PANEL)	M1 - M4 - M7 - M10	6 1/2" x 6 1/2"	6 1/2" x 6 1/2"
	M2 - M5 - M8 - M11	5 1/2" x 5 1/2"	5 1/2" x 5 1/2"
	M3 - M6 - M9	N/A	5" x 5"
SERIES	RAIL	DOOR	* DRAWER FRONT
MS SERIES (MITRED RAISED PANEL)	M1 - M4 - M7 - M10	8 3/4" x 8 3/4"	8 3/4" x 8 3/4"
	M2 - M5 - M8 - M11	7 1/2" x 7 1/2"	7 1/2" x 7 1/2"
	M3 - M6 - M9	N/A	See MP drawer minimums
* NOTE: Mitred drawer fronts will have a flat panel with horizontal grain on centre panel. (with exception of pot & pan drawer which will have full width rails, and raised or flat panels) NOTE: M11 is the standard drawer front moulding for M10 rail. NOTE: DE is the standard drawer front rail for the EL door rail.			

MAXIMUMS

MAXIMUM DOOR WIDTH	MAXIMUM DOOR HEIGHT FOR SINGLE DOOR
24"	48"
***Over 48" high door will be divided equally with centre rail, and two panels unless otherwise specified.	
NOTE: Doors wider than 24" and/or higher than 48" with one panel are not covered for warpage under the warranty.	
*** NOTE: Centre rails and double panels are not available with mitred door styles. Therefore mitred doors over 48" are not covered for warpage under the warranty.	

Mortise & Tenon Door Styles

SHAKER SERIES

Plywood Panel

Only available in square design.
Available with optional reverse solid panel, and with optional V groove

S SERIES

Solid Raised Panel

Available in Square, Cathedral & Arch designs.

5 PIECE DRAWER FRONTS

Top and bottom reduced rail width on 5 piece drawer. (see specifications)
(Pot & Pan drawer fronts full rail)
Available in plywood & raised panel.

P SERIES

Plywood Flat Panel

Available in Square, Cathedral & Arch designs.

SLAB DRAWER FRONTS

Solid wood with matching edge profile
Available in all door styles.

Maple Oak Cherry Knotty Pine * Birch *

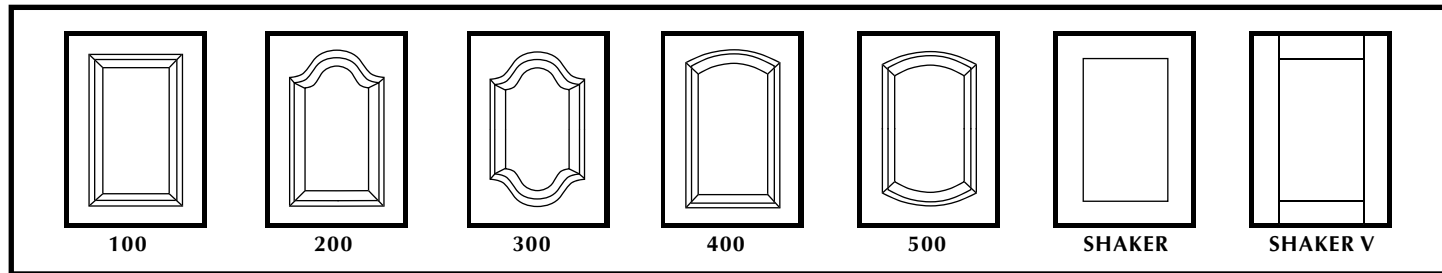


NOTE: * Knotty Pine, Birch, MDF, and Paintgrade are only available in selected door rail profiles.

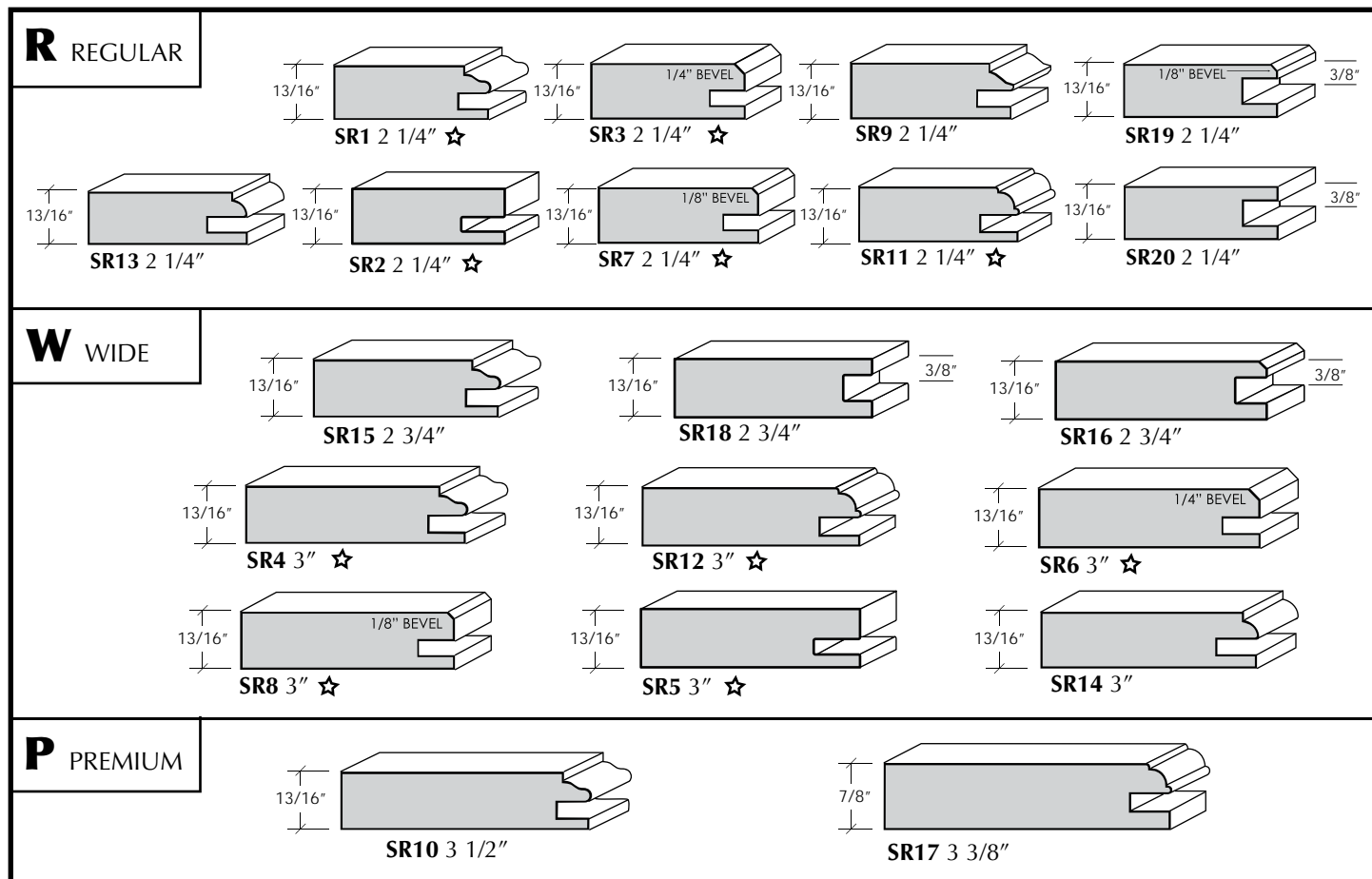
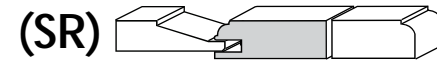


DOOR DESIGNS

FINISHED DOOR THICKNESS 13/16"



STILE/RAIL PROFILES

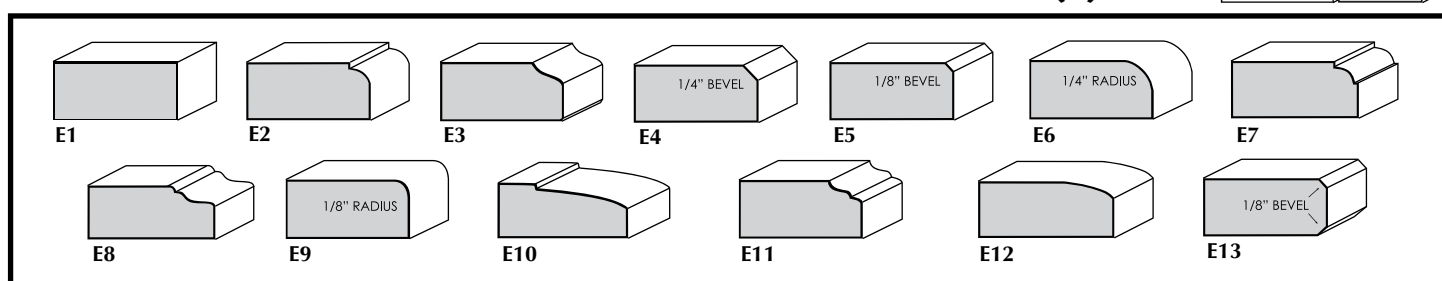


NOTE: Knotty Pine is only available in SR1 to SR8.

NOTE: (☆) indicates profiles available in MDF and Birch.

NOTE: SR16, SR18, SR19, SR20 only available with panel P10 (3/8" Panel) in Oak, Maple & Cherry.

EDGE PROFILES



NOTE: Drawer fronts are available as 5-piece or as a slab (edge profiles match the door); horizontal grain direction is standard.

NOTE: On 5pc Mortise & Tenon drawer fronts with edge profiles E8, E10, and E12 edge profiles are reduced by approximately 5 mm.

WOOD GRADE

SPECIES	SELECT STANDARD	SELECT PLUS
HARD MAPLE	Natural characteristics accepted, minimal colour and grain variation, minimal mineral on face, and some restrictions on back and edges	Same as Select but more consistent in colour and fewer mineral marks
RED OAK	Natural characteristics accepted, pin knots, minimal colour variation, minimal mineral on face, some restrictions on back and edges	Same as Select but more consistent in colour and grain, fewer mineral marks
CHERRY	Natural characteristics accepted, gum lines and pockets, limited sap wood (max 25% of front surface)	Same as Select with fewer characteristics, no sap wood on face, except machined areas
KNOTTY PINE	Natural characteristic accepted, structural sound knots accepted, no restrictions on colour & grain variation	N/A
BIRCH	Natural characteristic accepted, light and fairly consistent in colour and grain. No restrictions on back and edges with regards to sap (brown) marks	Same as SELECT but more consistent in colour and fewer sap (brown) marks on face
PAINTGRADE	Brown lumber frame, not sorted for colour, no restrictions on colour & grain variation. centre panels are MDF	N/A
MDF	5 piece MDF rails & panels are only made from the industries premium MDF, and are perfect for painted or glazed finishes	N/A
PRICING	STANDARD PRICE	UPCHARGE APPLIES

NOTE: Other species may be available upon request.

NOTE: Mitred doors are not available in Knotty Pine & Birch. MDF is available in EL & DE profiles only.

SANDING

Standard Mortise & Tenon Sanding: 180 grit finish on front and back. (Included in door price)	Standard Mitred sanding: 150 grit finish on front and 180 grit on back; (Included in door price)	Sanding Plus: 180 grit finish on front & back, De-nibbing sanding front (two passes) at 180, back (one pass) at 180. (Upcharge applies)
---	--	---

Even the finest sanding still needs a minimum of preparation at your end prior to finishing. This being due to various factors such as handling during packaging & unpacking, hole drilling for hinges etc. Your sanding ensures a better finish uniformity on all elements (doors, end gables, mouldings, trim, etc.)

GENERAL NOTES

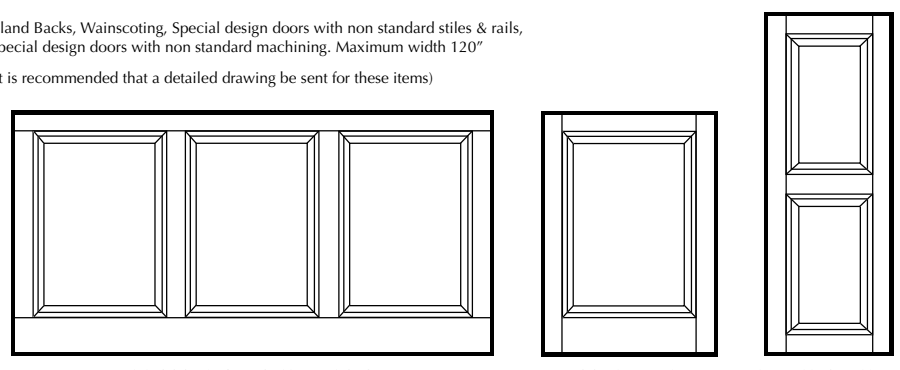
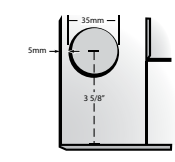
The wood from each tree is unique in character because of the location where the tree has grown, it's growing conditions, and where the board is cut from within the actual tree itself. Wood will change its characteristics each time it is worked on. During production we endeavor to select and machine material to meet the specifications for the products ordered.

WOOD TYPE

NOTE: All panels are matched for colour & grain as best as possible. There is no guarantee of uniformity when clear finish coats are used.

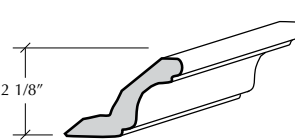
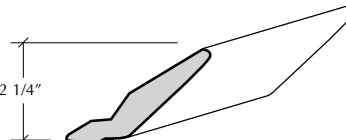
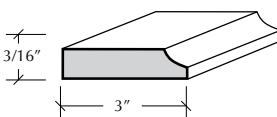
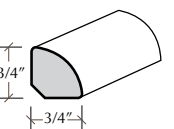
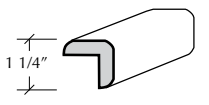
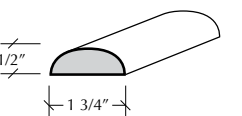
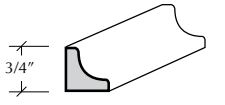
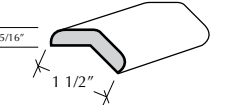
NOTE: When using cherry as a species know that it will naturally darken over time.

ACCESSORIES & SPECIALTY ITEMS

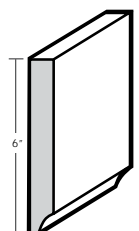
<p>CUSTOM PANELS (Available in Mortise & Tenon Doors Only)</p>	<p>Island Backs, Wainscoting, Special design doors with non standard stiles & rails, Special design doors with non standard machining. Maximum width 120" (It is recommended that a detailed drawing be sent for these items)</p>  <p>WAINSCOTING & ISLAND BACKS DECORATIVE END APPLIANCE PANEL</p>
<p>HINGE DRILLING & HINGES</p>	<p>STANDARD DRILLING: Drilled to fit a 35mm standard concealed hinge. It is offset 5mm from the side of the door to allow for a 5/8" gable.</p> <p>CUSTOM DRILLING: All other drilling is considered custom and requires a drawing.</p>  <p>STANDARD DRILLING</p>

(All moulding comes 8' lengths)

ACCESSORY MOULDINGS

<p>3.5" Crown (PP04)</p> 	<p>Shaker Crown (KIT01)</p> 	<p>Single Light Valance (5100)</p> 	<p>Quarter Round (5174)</p> 
<p>90° Outside Corner (116)</p> 	<p>Double Shoe (3154)</p> 	<p>Cove (398)</p> 	<p>45° Outside Corner (115)</p> 

VALANCES



PLAIN VALANCE
SCALLOP VALANCE
ROMAN ARCH VALANCE

NOTE: With a plain valance the door edge profile will be used, on Scalloped and Roman valances a square edge will be used.

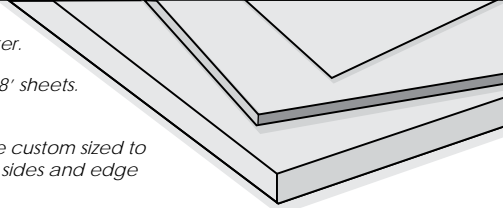
VENEER & PANELS

VENEER SHEETS: Veneer sheets are available in 4' x 8' sheets with a poly backer.

1/4" PANELS: 1/4" Panels are available in 4' x 8' sheets. (see note below...)

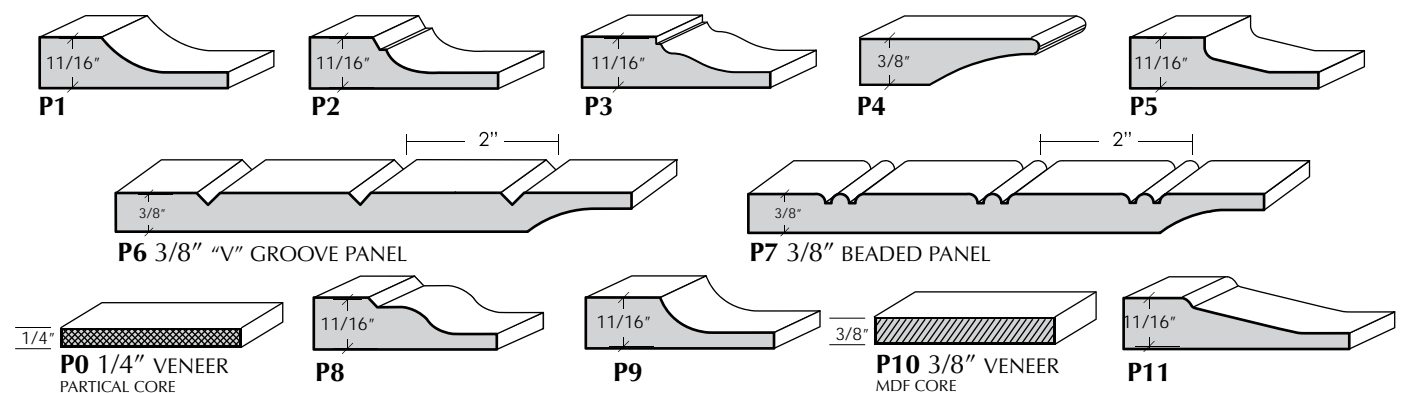
5/8" GABLE PANELS: 5/8" Gable panels are available custom sized to your specifications, veneered 2 sides and edge banded all 4 edges.

NOTE: A cut sheet is required with every order of 1/4" panels, please send along with door order form.
NOTE: Veneer sheets and panels are only available in Oak, Maple, and Cherry species.



PANEL PROFILES

Profiles with solid grey are solid wood panels (P)



P1 11/16" **P2** 11/16" **P3** 11/16" **P4** 3/8" **P5** 11/16"

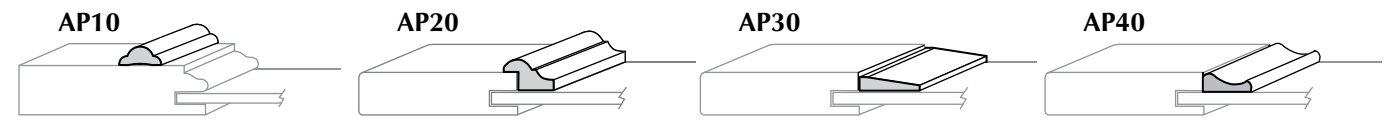
P6 3/8" "V" GROOVE PANEL **P7** 3/8" BEADED PANEL

P0 1/4" VENEER PARTIAL CORE **P8** 11/16" **P9** 11/16" **P10** 3/8" VENEER MDF CORE **P11** 11/16"

NOTE: All panel profiles available in raw MDF with exception of P10. **NOTE:** P4, P6 & P7 are reversed solid panels.

APPLIED MOULDINGS

(AP)



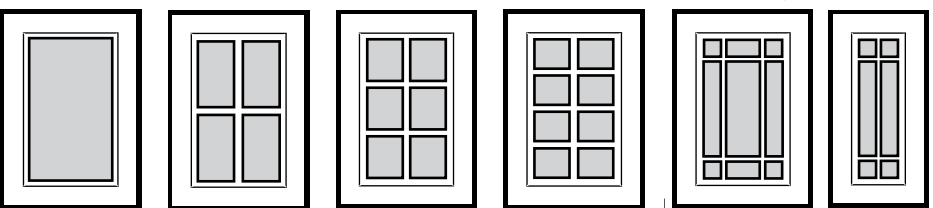
AP10 **AP20** **AP30** **AP40**

W: 3/4" H: 3/8" W: 15/16" H: 11/16" W: 1 1/4" H: 1/4" W: 1" H: 3/8"

NOTE: The AP10 can be applied to all Mortise & Tenon rails with exception to SR3, SR6, SR7, SR8, SR16, and SR19.
NOTE: The AP20, AP30 & AP40 are only available on SR2 & SR5. the AP30 is also available on the SR3, SR6, SR7, and SR8.
NOTE: Doors over 48" will be divided equally with centre rail, and two panels unless otherwise specified.

GLASS DOORS

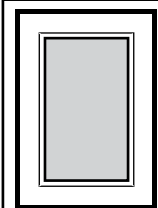
MORTISE & TENON FRAME ONLY & MULLION DOORS



FRAME ONLY 4 LITE MULLION 6 LITE MULLION 8 LITE MULLION 9 LITE MULLION

Glass doors selected with 9 lite mullions are only available over 14 3/4" wide. Any 9 lite door under 14 3/4" wide will be made as a 6 lite with the horizontal mullions aligned with the 9 lite mullions.

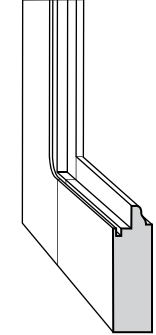
MITRED DOORS



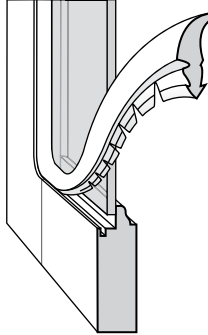
FRAME ONLY

NOTE: Mitred rail M1 & M2 are also available in 4 lite, 6 lite, and 8 lite mullion doors as well as frame only. All other mitred doors are available as frame only.

Doors Machined for Glass...
Mortise & Tenon Wood Doors are available in all 5 glass doors styles. The frame is machined to accept up to a 3mm to 6mm glass panel.



Glass Door Retainer Gasket...
All glass doors are machined with a channel to accept a rubber gasket. This gasket gives a firm clean fit to the door and glass panel.



Available through:
Richelieu Hardware
PART # 100 1711
1-800-387-9505
www.richelieu.com